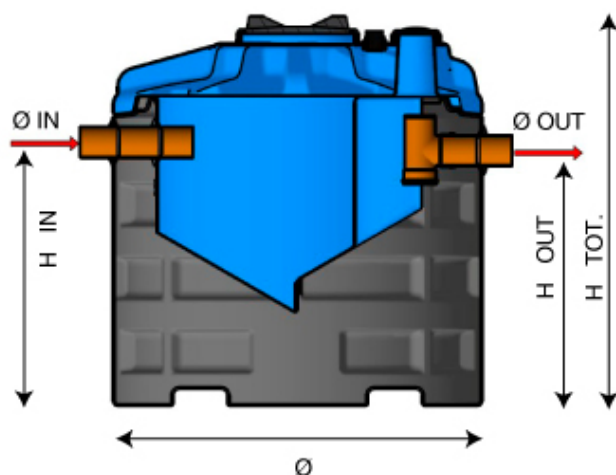
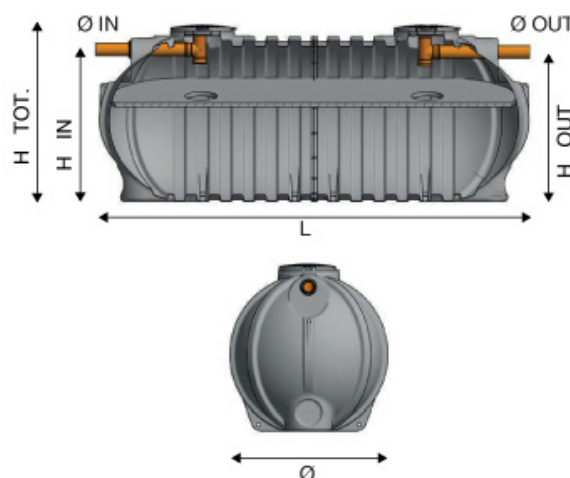


FOSSA IMHOFF BIOLOGICA CORPO NERVATO DA 1020 A 39313 LITRI A NORMA DR 1053 DEL 9/6/2003



STANDARD



MODULARE

CODICE	Struttura	Abitanti equivalenti (A.E.)	Sedimentatore (lt)	Digestore (lt)	Volume (lt)	Diametro Ø - ØxL (mm)	Altezza H tot (mm)	Diametro tubi Ø IN / OUT (mm)	Altezza H IN (mm)	Altezza H OUT (mm)	Peso (kg)
SEPGL01	standard	3	265	755	1020	1310	1380	110	930	900	60
SEPGL02	standard	5	265	1070	1335	1310	1640	110	1190	1160	67
SEPGL03	standard	6	375	1370	1745	1310	1900	110	1460	1430	76
SEPGL04	standard	8	640	1615	2255	1650	1790	110	1280	1250	129
SEPGL05	standard	10	640	2110	2750	1650	2080	110	1570	1540	147
SEPGL06	standard	12	640	2895	3535	1650	2380	110	1870	1840	164
SEPGL07	standard	13	775	2760	3535	1650	2380	125	1870	1840	166
SEPGL08	standard	18	1470	3620	5090	2270	2120	125	1460	1430	232
SEPGL09	standard	28	1470	5665	7135	2270	2650	160	1995	1965	287
SEPGL10	standard	39	1961	7960	9921	2130x3410	2225	160	1960	1930	533
SEPGL11	modulare	55	2783	11135	13918	2100x5370	2160	160	1880	1850	520
SEPGL12	modulare	76	3799	15198	18997	2100x7000	2160	160	1880	1850	727
SEPGL13	modulare	96	4815	19261	24076	2100x8650	2160	160	1880	1850	897
SEPGL14	modulare	116	5831	23324	29155	2100x10250	2160	200	1880	1850	1120
SEPGL15	modulare	137	6847	27387	34234	2100x11900	2160	200	1880	1850	1315
SEPGL16	modulare	157	7863	31450	39313	2100x13500	2160	200	1880	1850	1460