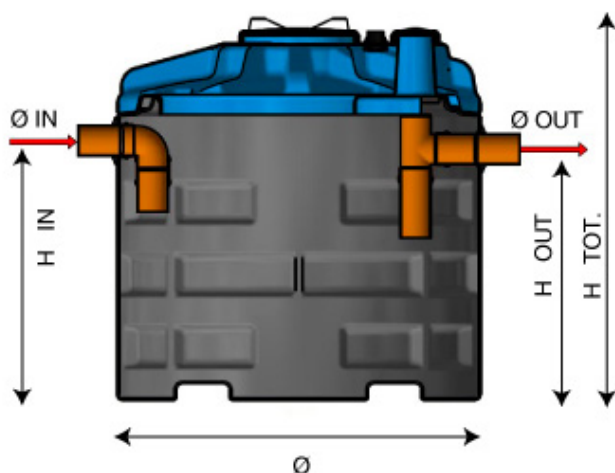
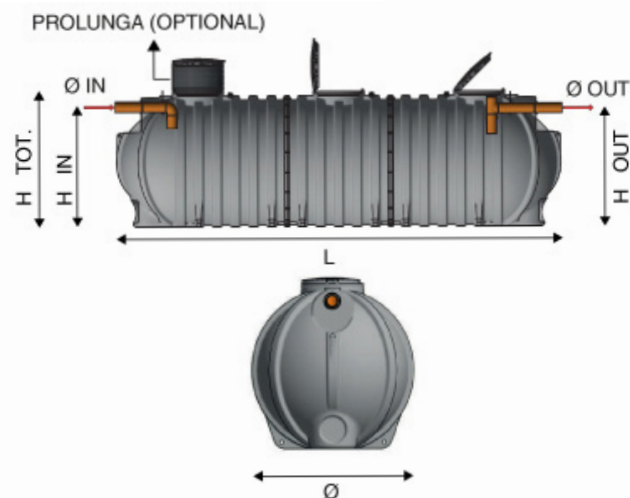


FOSSA SETTICA CORPO NERVATO DA 1020 A 38610 LITRI



STANDARD



MODULARE

CODICE	Struttura	Abitanti equivalenti (A.E.)	Volume (lt)	Diametro Ø - ØxL (mm)	Altezza H tot (mm)	Diametro tubi Ø IN / OUT (mm)	Altezza H IN (mm)	Altezza H OUT (mm)	Peso (kg)
SEPGM01	standard	8	1020	1310	1380	110	940	910	54
SEPGM02	standard	10	1335	1310	1640	110	1200	1170	59
SEPGM03	standard	13	1745	1310	1900	125	1460	1430	69
SEPGM04	standard	18	2250	1650	1790	125	1280	1250	120
SEPGM05	standard	22	2750	1650	2080	125	1570	1540	125
SEPGM06	standard	23	2900	1585x1920	1870	125	1500	1470	140
SEPGM07	standard	28	3535	1650	2380	125	1860	1830	145
SEPGM08	standard	38	4800	1860x2380	2150	160	1740	1710	202
SEPGM09	standard	40	5090	2270	2120	160	1440	1410	195
SEPGM10	standard	57	7135	2270	2650	160	1970	1940	245
SEPGM11	standard	78	9800	2130x3410	2225	160	2000	1950	388
SEPGM12	modulare	111	13960	2100x5370	2200	160	1880	1850	480
SEPGM13	modulare	151	18890	2100x7000	2200	160	1880	1850	677
SEPGM14	modulare	190	23820	2100x8650	2200	160	1880	1850	827
SEPGM15	modulare	230	28750	2100x10250	2200	200	1880	1850	1022
SEPGM16	modulare	265	33680	2100x11900	2200	200	1880	1850	1172
SEPGM17	modulare	308	38610	2100x13500	2200	200	1880	1850	1368